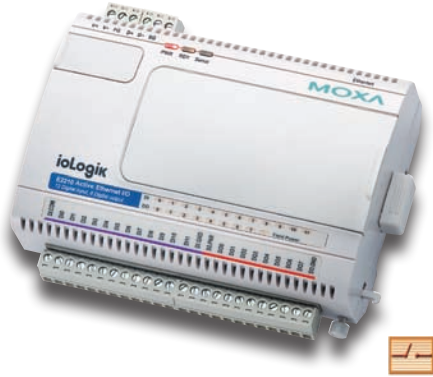


ioLogik E2210

Active Ethernet I/O with 12 digital inputs and 8 digital outputs



- > Instant event messaging by TCP/UDP/email/SNMP-trap
- > Easy-to-use Click&Go™ Logic for local output control
- > 12-point 24 VDC digital input with counter
- > 8-point 24 VDC digital output with pulse output
- > PC-based configuration utility and web console
- > I/O control over Modbus/TCP and SNMP protocol
- > Windows/WinCE VB/VC.NET and Linux C APIs
- > Peer-to-Peer I/O without controller



Introduction

Simple Applications without Programming

The ioLogik E2210 can convert a trigger event result directly into a digital alarm output. This can be set up using the ioAdmin UI to define an IF-THEN-ELSE Logic rule, eliminating the need to write programs for PCs or controllers.

Software Event Counter Input and Pulse Output

Each digital input can be independently configured for DI or Event Counter mode, and output can be independently configured for DO or Pulse Output mode.

Specifications

LAN

Ethernet: 1 x 10/100 Mbps, RJ45

Protection: 1.5 KV magnetic isolation

Protocols: Modbus/TCP, TCP/IP, UDP, DHCP, Bootp, SNMP (MIB for I/O and Network), HTTP, CGI, SNTF

Serial Communication

Interface: RS-485-2w: Data+, Data-, GND

Serial Line Protection: 15 KV ESD for all signals

Serial Communication Parameters

Parity: None

Data Bits: 8

Stop Bits: 1

Flow Control: None

Baudrate: 1200 to 115200 bps

Protocol: Modbus/RTU

Digital Input

Channels: 12, source type

Sensor Type: NPN, Dry contact

I/O Mode: DI or Event Counter (up to 900 Hz)

Dry Contact:

- Logic 0: short to GND
- Logic 1: open

Wet Contact:

- Logic 0: 0 to 3 VDC
- Logic 1: 10 to 30 VDC (DI COM to DI)

Common Type: 12 points per COM

Isolation: 3K VDC or 2K Vrms

Counter/Frequency: 900 Hz

Digital Filtering Time Interval: Software selectable

Over-voltage Protection: 36 VDC

Digital Output

Channels: 8, sink type, 36 VDC, 200 mA

I/O Mode: DO or Pulse Output (up to 100 Hz)

Pulse Wave Width/Frequency: 10 ms/100 Hz

Over-voltage Protection: 45 VDC

Over-current Limit: 400 mA (typical)

Over-temperature Shutdown: 175°C (min.)

Output Current Rating: Max. 200 mA per channel

Isolation: 3K VDC or 2K Vrms

Power Requirements

Power Input: 24 VDC nominal, 12 to 48 VDC

Power Consumption: 282 mA typical @ 24 VDC

Physical Characteristics

Wiring: I/O cable max. 14AWG

Dimensions: 115 x 79 x 45.63 mm (4.53 x 3.11 x 1.8 in)

Weight: 215 g

Environmental Limits

Operating Temperature: -10 to 60°C (14 to 140°F)

Storage Temperature: -40 to 85°C (-40 to 185°F)

Ambient Relative Humidity: 5 to 95% (non-condensing)

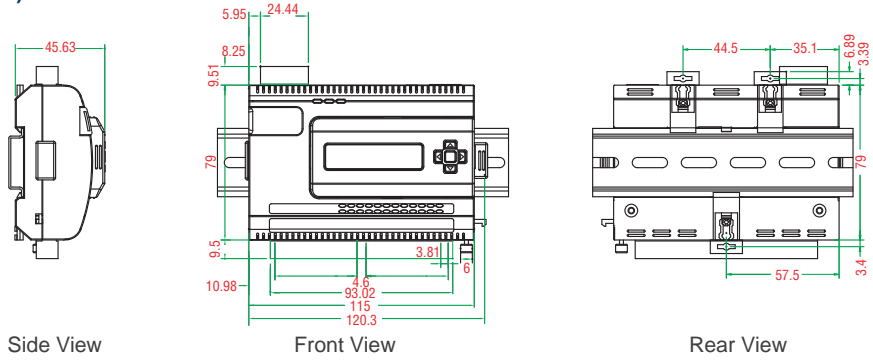
Regulatory Approvals

EMI: FCC Part 15, CISPR (EN55022) class A
EMS: IEC 61000-4, IEC 61000-6
Shock: IEC 60068-2-27
Freefall: IEC 60068-2-32
Vibration: IEC 60068-2-6

Warranty

Warranty Period: 2 years
Details: See www.moxa.com/warranty

Dimensions (unit = mm)



Pin Assignment

I/O (left to right)

1	2	3	4	5	6	7	8	9	10	11	12	13	14	15	16	17	18	19	20	21	22	23	24
DI.COM	DI0	DI1	DI2	DI3	DI4	DI5	DI6	DI7	DI8	DI9	DI10	DI11	DI.GND	DO.PWR	DO0	DO1	DO2	DO3	DO4	DO5	DO6	DO7	DO.GND

Ordering Information

ioLogik E2210: Active Ethernet I/O with 12 digital inputs and 8 digital outputs
LDP1602: LCD module with 16 x 2 text display and 5 buttons